

# ZELMER VACUUM CLEANERS

## DOMESTIC



## ZELMER AQUARIO 1500 WATT WATER FILTRATION

**MADE IN EUROPE**  
**2 YEAR WARRANTY**



- High quality of air filtration | HEPA filter
- Module with SAFBAG dust bag
- Extra module with water filter (ideal for pet owners - water traps microscopic particles)

**THIS MACHINE IS NO LONGER AVAILABLE. SPARE PARTS STILL AVAILABLE. (SEE BELOW).**

Part No:

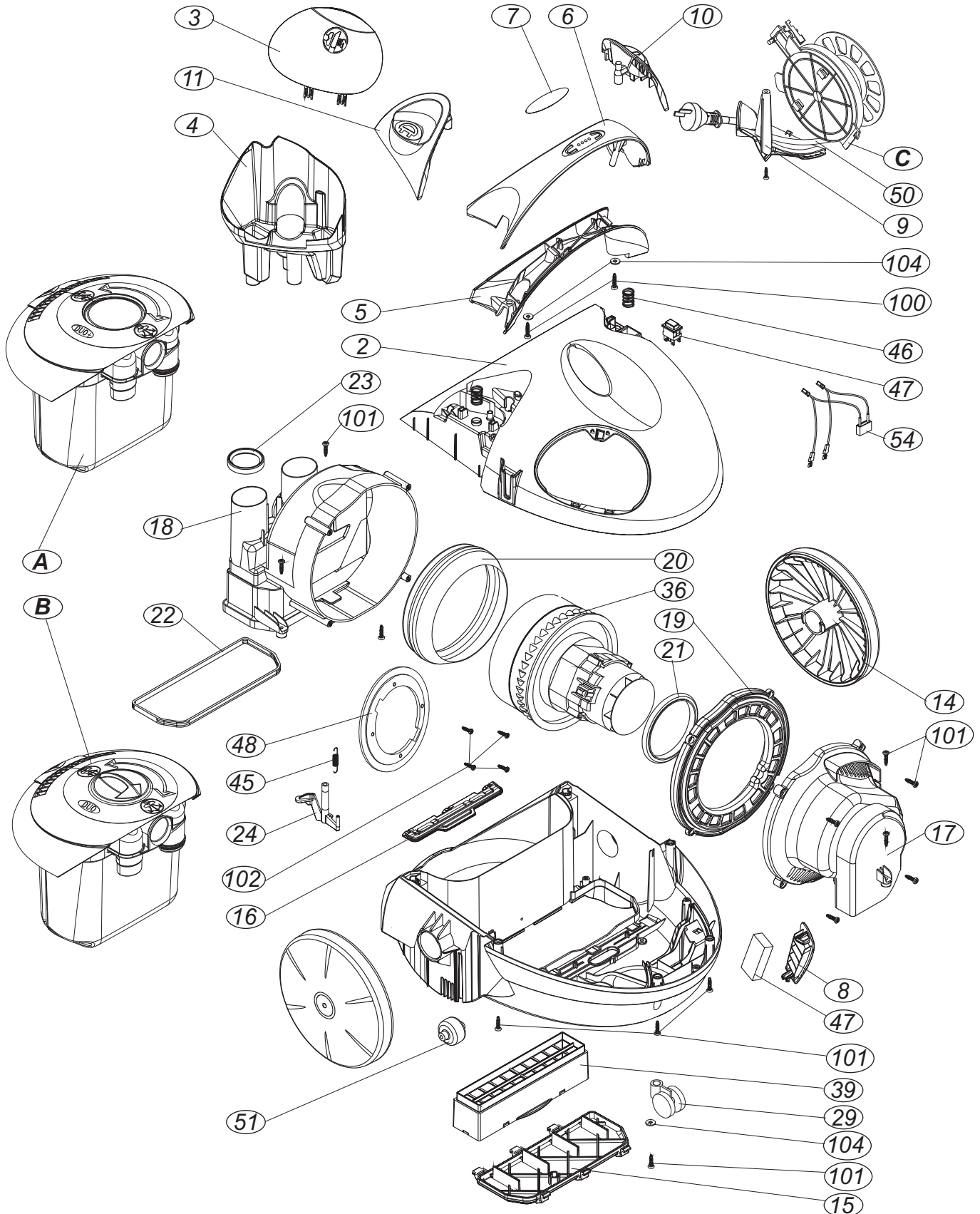
V819.5SK

- Tools on Board
- Wessel Werk Combo Floor Tool
- Telescopic Rod
- Hose Assembly
- Two Filter Modules (Wet and Dry)

### SPARE PARTS

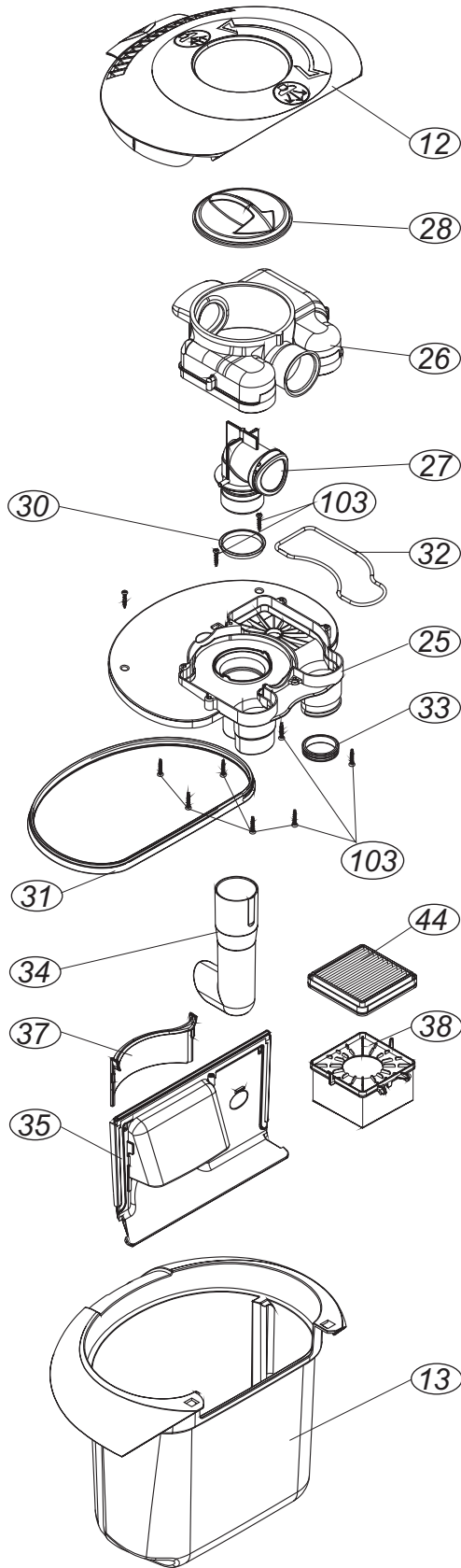
	UBZ Upholstery Brush		CTZ Crevice Tool		DBZ Dusting Brush		V819.5SK-44 Preliminary Filter
	V819.5SK-39 HEPA H10 Filter & Gasket		V819.5SK-60 Inlet Filter		AF4020 Synthetic Dust Bag (plastic template)		AF431S Synthetic Dust Bag (cardboard template)
	V819.5SK-62 Complete Hose		FTH-ZEL Hard Floor Brush		FTT-ZEL Air Driven Turbo Brush		FT-ZEL Combination Floor Tool
	V819.5SK-64 Telescopic Rod		M057 Motor		V819.5SK-8 Filter Cover		V819.5SK-10 Switch Button
	V819.5SK-11 Cord Rewind Button		V819.5SK-14 Rear Wheel		V819.5SK-15 'S' Filter Cover		V819.5SK-16 Slider
	V819.5SK-19 Motor Damper		V819.5SK-20 Front Gasket		V819.5SK-21 Rear Gasket		V819.5SK-29 Front Wheel
	V819.5SK-38 Frame		V819.5SK-47 Switch		V819.5SK-50 Supply Cord		V819.5SK-54 Capacitor
	V819.5SK-63 Anti-Foam Agent		V819.5SK-A Water Filter Module		V819.5SK-B SAFBAG (Dry) Module		V819.5SK-C Cord Rewinder

# VACUUM CLEANER ZELMER TYPE 819.5 SK AUSTRALIA

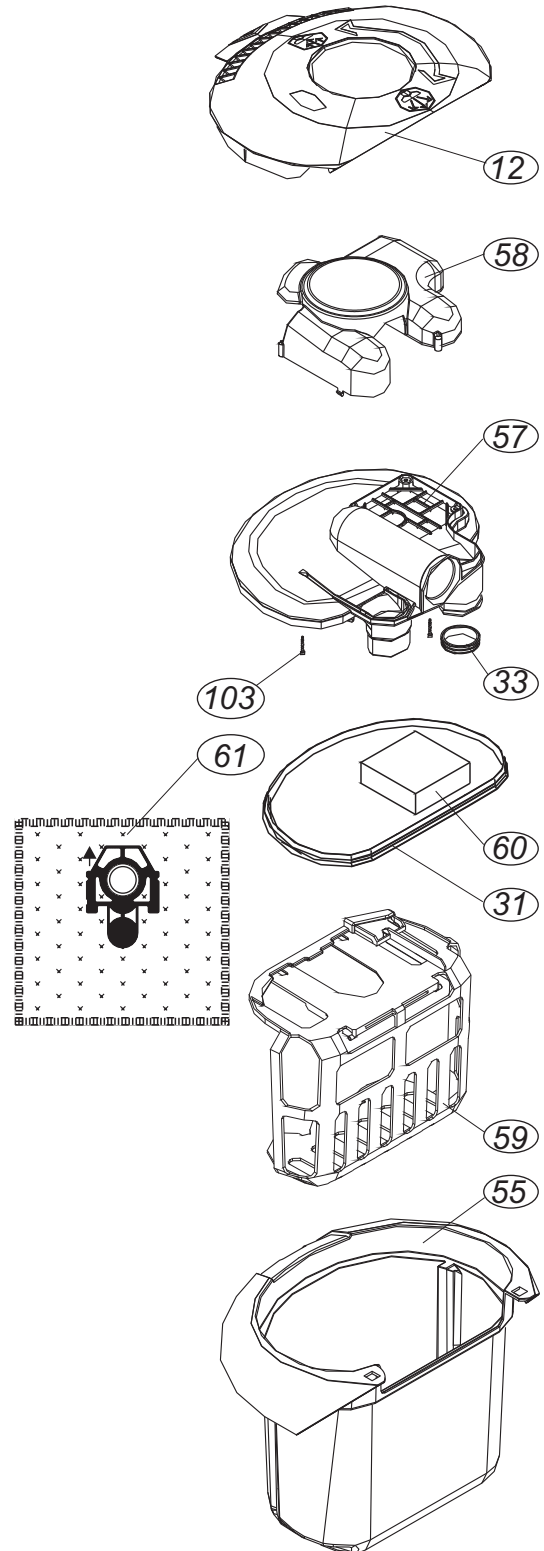


# VACUUM CLEANER ZELMER TYPE 819.5 SK AUSTRALIA

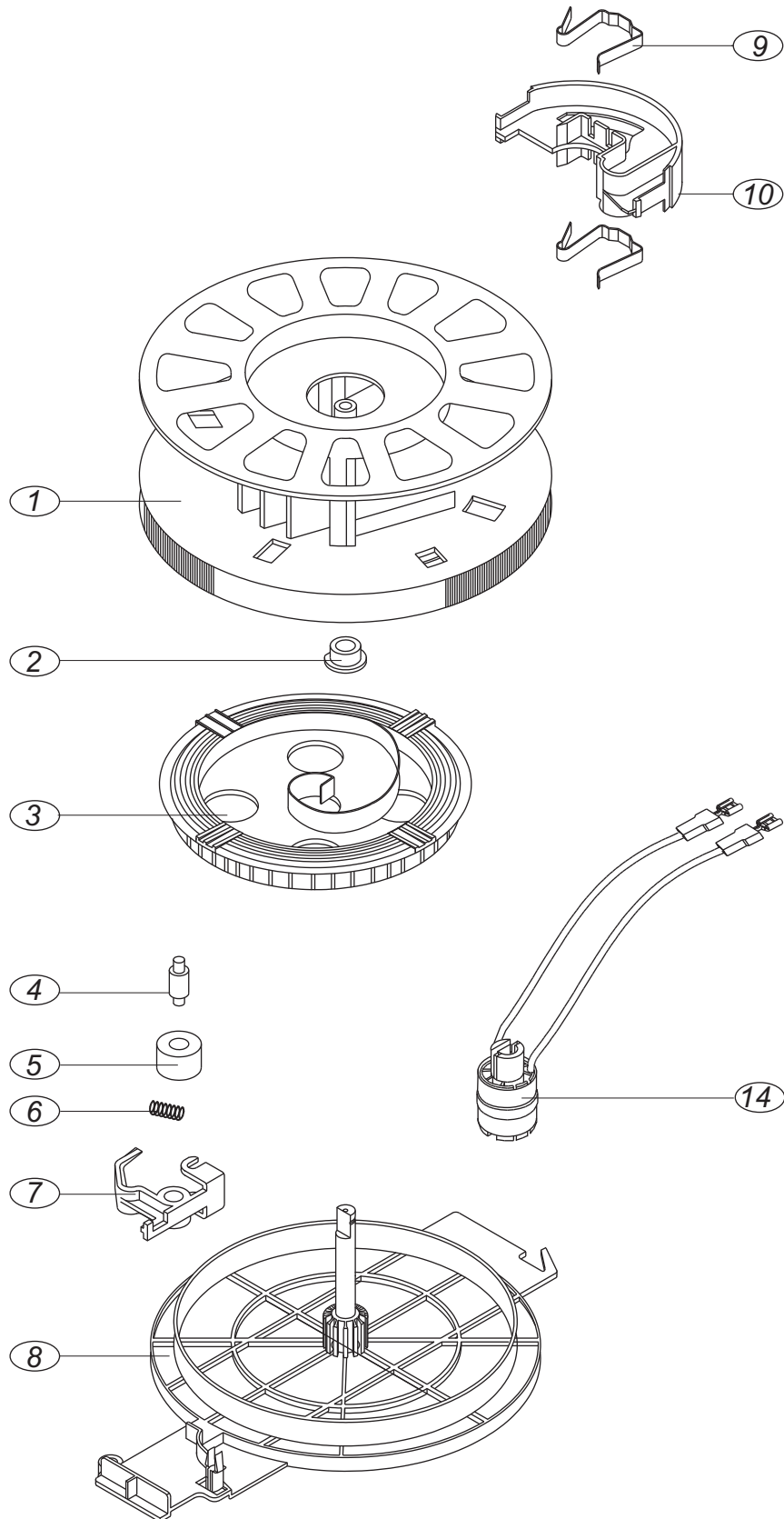
## THE WATER FILTER ASSEMBLY 719.0130



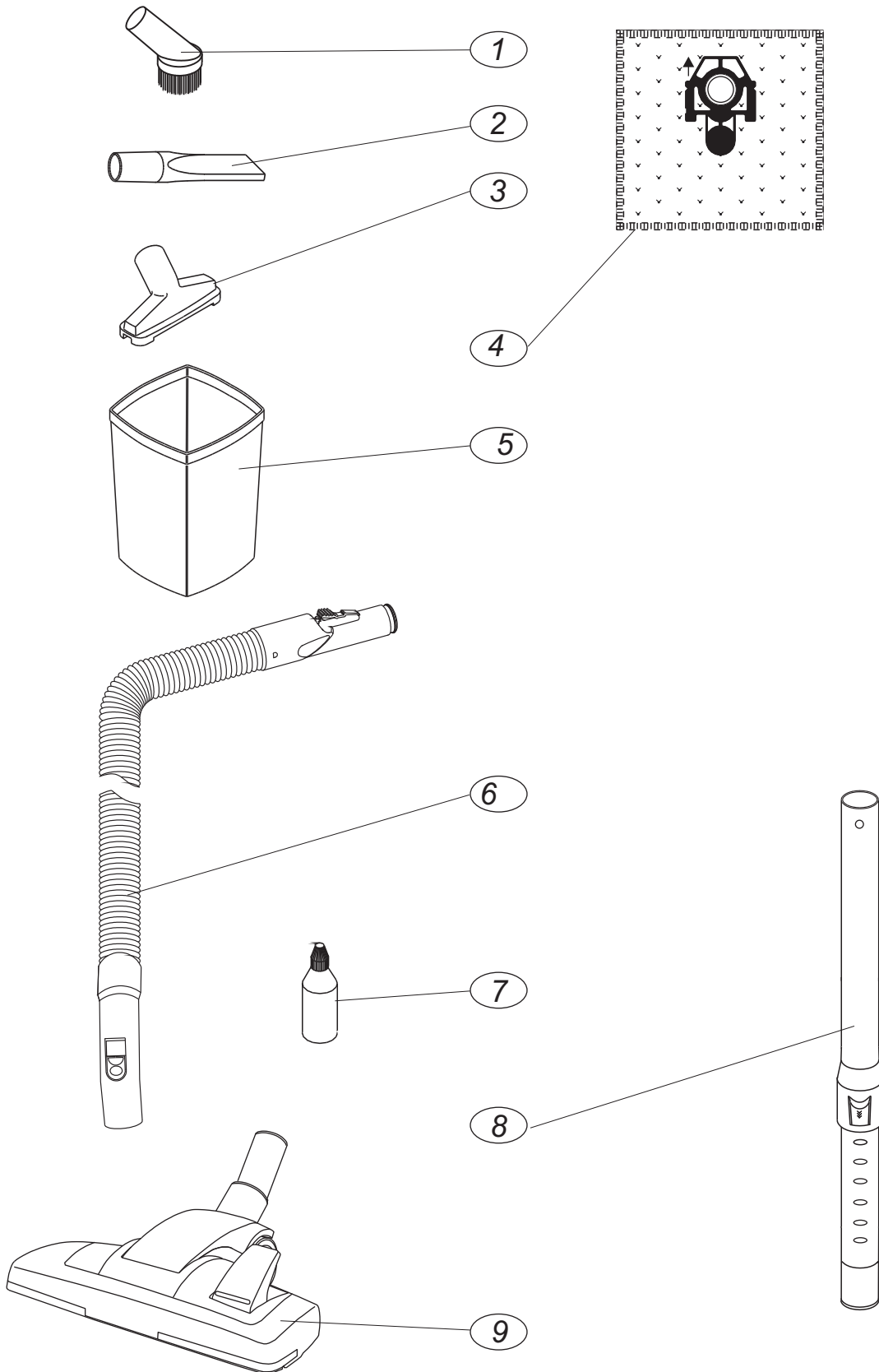
## THE MOTOR PROTECTION FILTER ASSEMBLY 819.0150



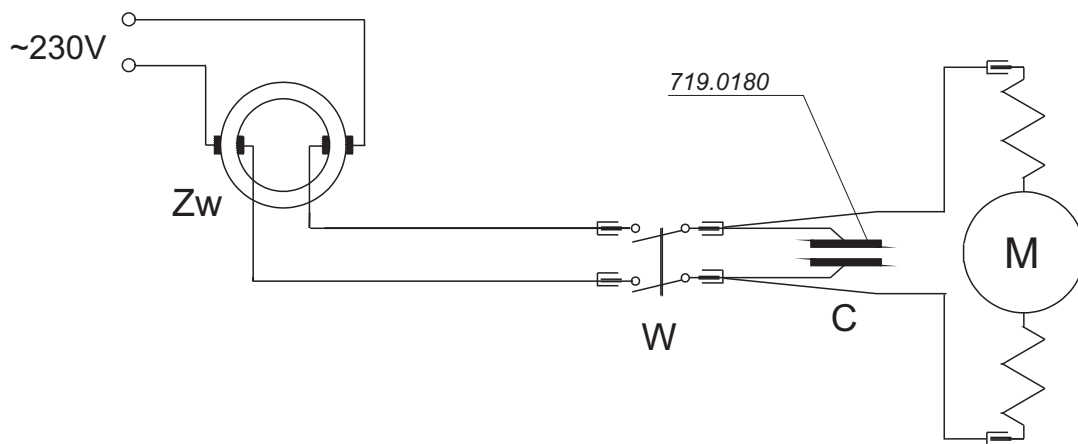
# III CORD WINDER 269.0150 AUSTRALIA



# IV VACUUM CLEANER ACCESSORIES ZELMER TYPE 819.5 SK AUSTRALIA



# V ELECTRICAL DIAGRAM OF THE VACUUM CLEANER ZELMER TYPE 819.5 SK AUSTRALIA



- M* - MOTOR
- Zw* - CORD WINDER
- W* - MAIN SWICH
- C* - CAPACITOR