



HBCOM-VC10LP \*  
Complete Hose



VC10LP-HEPA  
HEPA Filter  
(VC10LPH only)



VC10LP-CF \*  
Cloth Filter  
(VC10LP only)



VC10LP-7 \*  
Power Switch



VC10LP-10  
Motor Holder



VC10LP-11  
Inner Wire



VC10LP-12  
Sealing Ring  
for Barrel



VC10LP-17P \*  
Plastic Lid Clip



VC10LP-17 \*  
Metal Lid Clip



VC10LP-18  
Rear Wheel  
Axle



VC10LP-19  
Rear Wheel



VC10LP-20/21  
Screw Nut &  
Washer for  
Front Wheel



VC10LP-22  
Front Castor  
Wheel



VC10LP-23  
Screw Nut  
Cover



VC10LP-25 \*  
Air Inlet Adaptor  
(VC10LPH only)



VC10LP-26  
Air Inlet  
Adaptor Cover



VC10LP-27  
Fixed Switch (HEPA)  
(VC10LPH only)



VC10LP-28  
HEPA Holder  
(VC10LPH only)



VC10LP-30  
Motor Gasket



VC10LP-31 \*  
Motor



VC10LP-32  
Motor Fixed  
Pad



AF927S  
Synthetic Dust Bags  
(VC10LPH only)



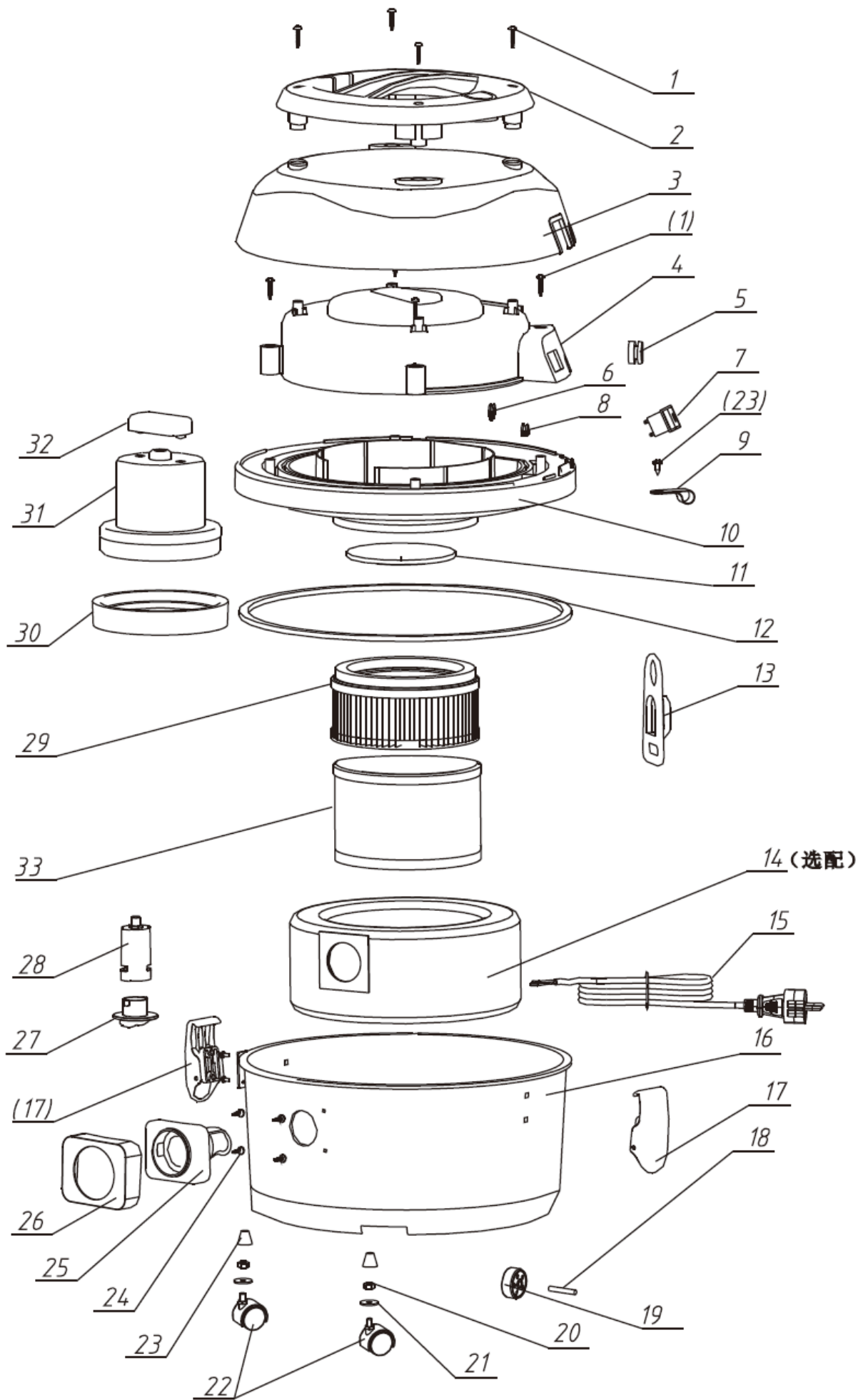
VC10LP-PRE \*  
Pre-Motor Filter  
(VC10LP only)



CREST1 \*  
Cord Restraint

\* DENOTES PART ALSO SUITABLE FOR **PULLMAN AS4**.

## VC10LP & VC10LPH SPARE PARTS



# HOUSEMAID (VC10LPH)

## PARTS BREAKDOWN